

SENTECH

STC-630CC/635CC

1/3" CCD
Industrial Color
DSP Camera



(Lens not included)

The STC-630CC series industrial color camera provides excellent performance utilizing 10 bit digital signal processing (DSP). The camera features high quality color reproduction, a 1/3" high resolution IT CCD, electronic shutter to 1/10,000 of a second, RS232C controllable, external sync, Y/C and composite video outputs and a 12 pin connector for easy access of power and Y/C signals. The STC-630CC is available in NTSC and PAL formats.

Features

- AGC / Manual Gain
- RS232C Controllable
- Y/C and Composite Outputs
- 1/3" IT CCD, 768(V) x 494(H)
- Electronic Shutter
- External Sync, (HD/VD)
- Low Speed Shutter
- Backlight Compensation
- Small size, Lightweight
- 480 TV Lines
- White Balance: Manual, Full Auto
- 12 pin Connector
- 10 Bit DSP (User Accessible)
- Negative / Positive Reversal
- NTSC & PAL Formats
- 1 Lux Minimum Illumination
- 12VDC
- Uses 'CS' mount lenses, 'C' w/adapter

STC-630CC/635CC

Technical Specifications

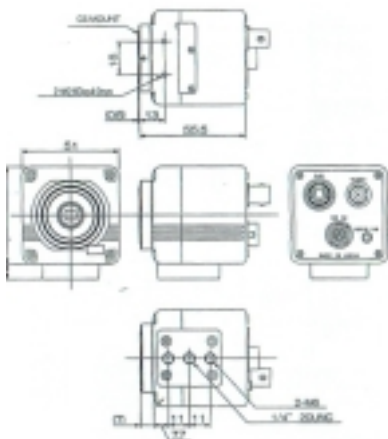
STC-630CC

Pick Up Device	1/3" Interline CCD
Picture Elements	768(H) x 494(V)
Signal Format	NTSC
DSP	10 Bit
Horizontal Frequency	15.734kHz
Vertical Frequency	59.94Hz
Lens Mount	CS/C-Mount (w/adapter)
Sync System	Internal/External(HD,VD)
Horizontal Resolution	480 TV Lines
Minimum Illumination	1 Lux @ F1.2
S/N Ratio	More than 48dB AGC Off
AGC	On/Off Selectable
Electronic Shutter	1/60-1/10,000 Auto/Fixed
Low Speed Shutter	2Fld-16Fld
White Balance	Manual, Full Auto
Video Output	1.0Vp-p 75 Ohms
Y/C Output	0.7Vp-p 75 Ohms
Gamma	0.45, DSP Adjustable
Serial I/O	RS232C Controllable
Backlight	Activated w/ AGC & Electronic Iris
Negative/Positive	Selectable
Output Connectors	BNC & 12 Pin(Y/C)
Power Requirements	DC10-12V
Power Consumption	180mA
Operating Temp	-10deg. ~+40deg.C 14~104F
Dimensions (mm)	51(W) x 51(H) x 55.5(D)
Weight	190g

STC-635CC

Pick Up Device	1/3" Interline CCD
Picture Elements	752(H) x 582(V)
Signal Format	PAL
DSP	10 Bit
Horizontal Frequency	15.625kHz
Vertical Frequency	50.0Hz
Lens Mount	CS/C-Mount (w/adapter)
Sync System	Internal/External(HD,VD), Auto
Horizontal Resolution	480 TV Lines
Minimum Illumination	1 Lux @ F1.2
S/N Ratio	More than 48dB AGC=Off
AGC	On/Off Selectable
Electronic Shutter	1/50-1/10,000 Auto/Fixed
Low Speed Shutter	2Fld-16Fld
White Balance	Manual, Full Auto
Video Output	1.0Vp-p 75 Ohms
Y/C Output	0.7Vp-p 75 Ohms
Gamma	0.45, DSP Adjustable
Serial I/O	RS232C Controllable
Backlight	Activated w/ AGC & Electronic Iris
Negative/Positive	Selectable
Output Connectors	BNC & 12 Pin(Y/C)
Power Requirements	DC10-12V
Power Consumption	180mA
Operating Temp	-10deg. ~+40deg.C(14~104F)
Dimensions (mm)	51(W) x 51(H) x 55.5(D)
Weight	190g

Weights and dimensions shown are approximate. Specifications are subject to change without notice. These products may be subject to export control regulations.



SENTECH

Sensor Technologies America Inc.

1015 North I-35E #206 Carrollton, TX 75006
 Phone: 972-245-4243 Fax: 972-446-0056
 Toll Free 877-736-8324 (877-SENTECH)
 Website: www.sentechAmerica.com